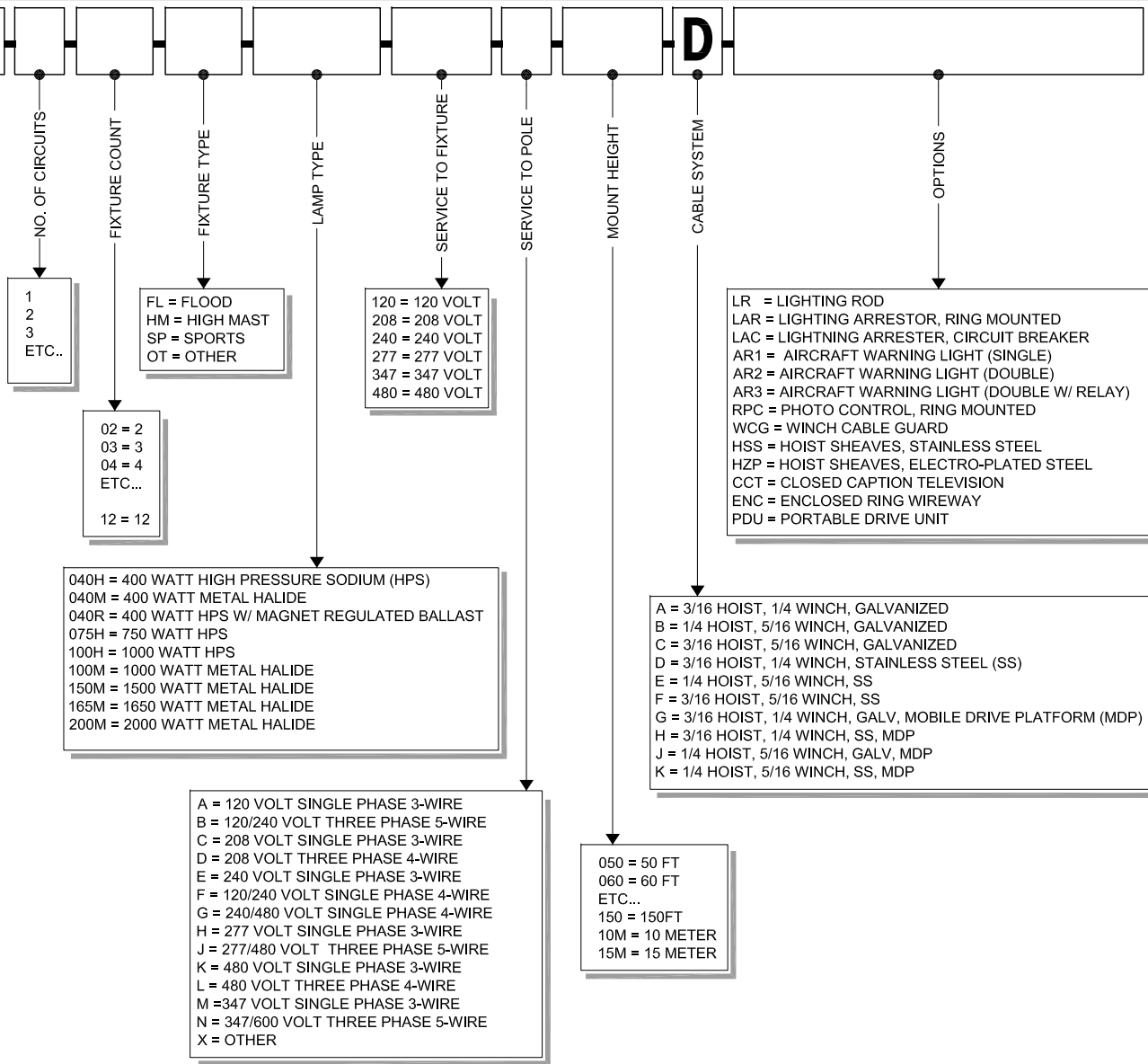
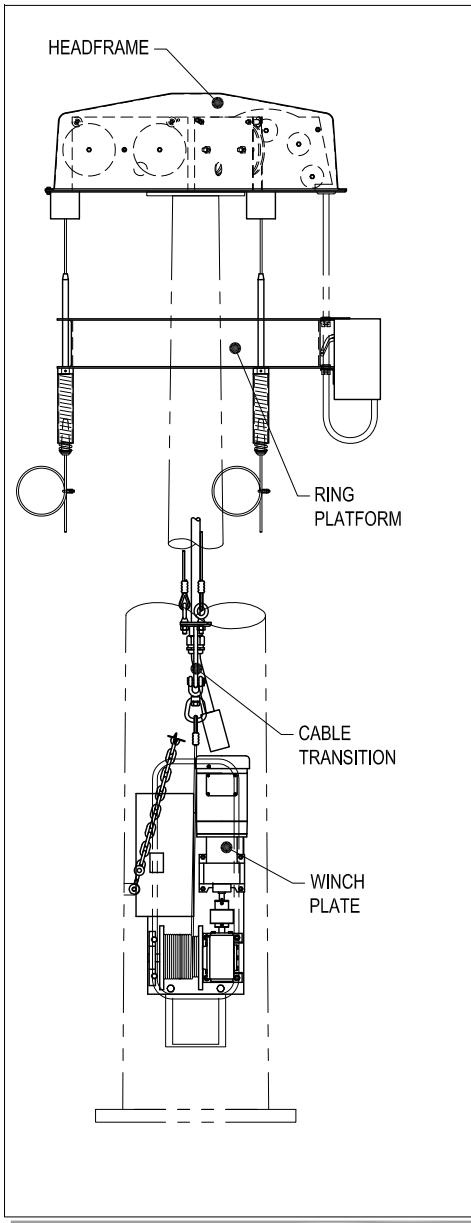
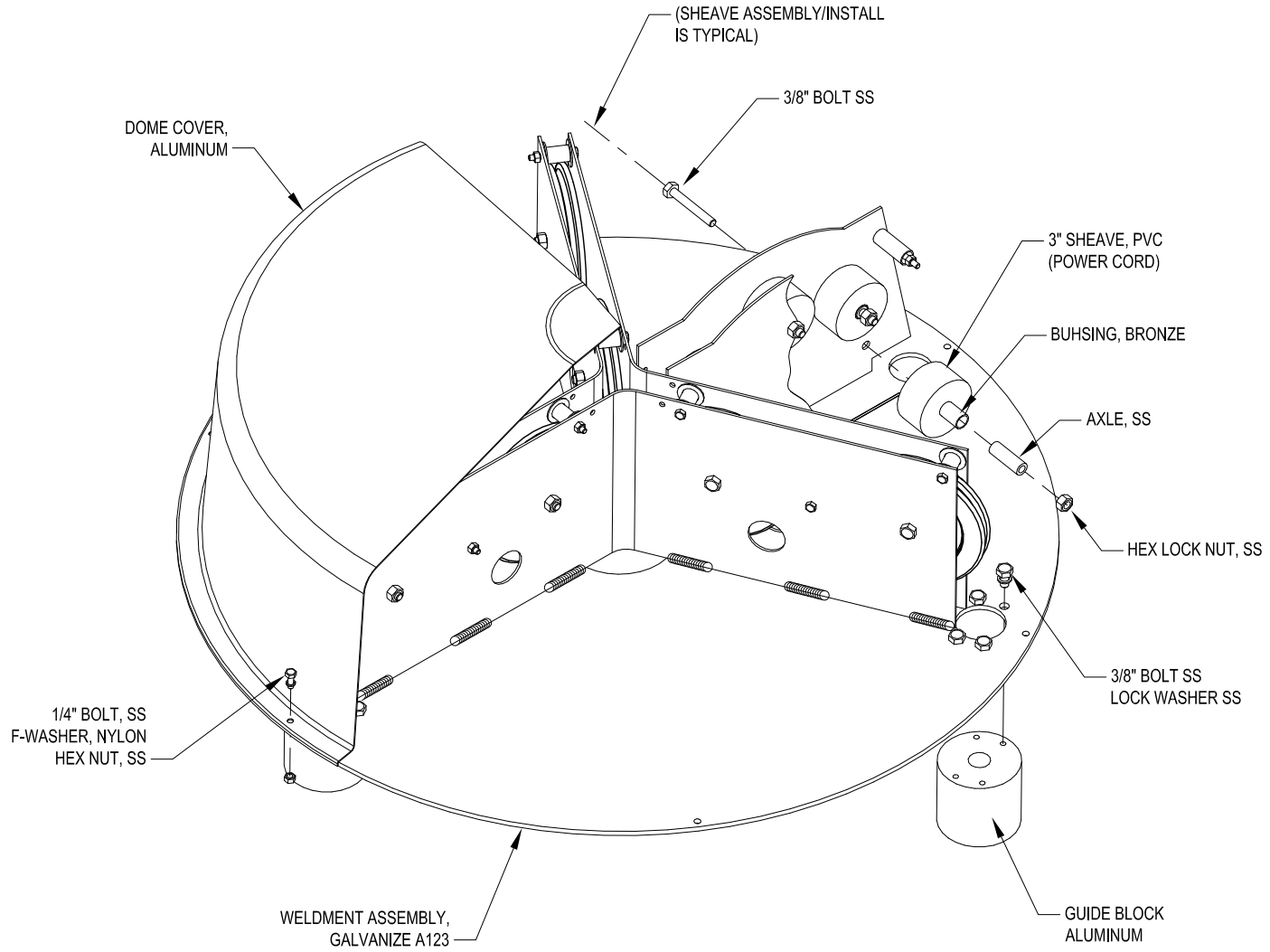


**BOTTOM LATCHING
INTERNAL DRIVE** **2070**

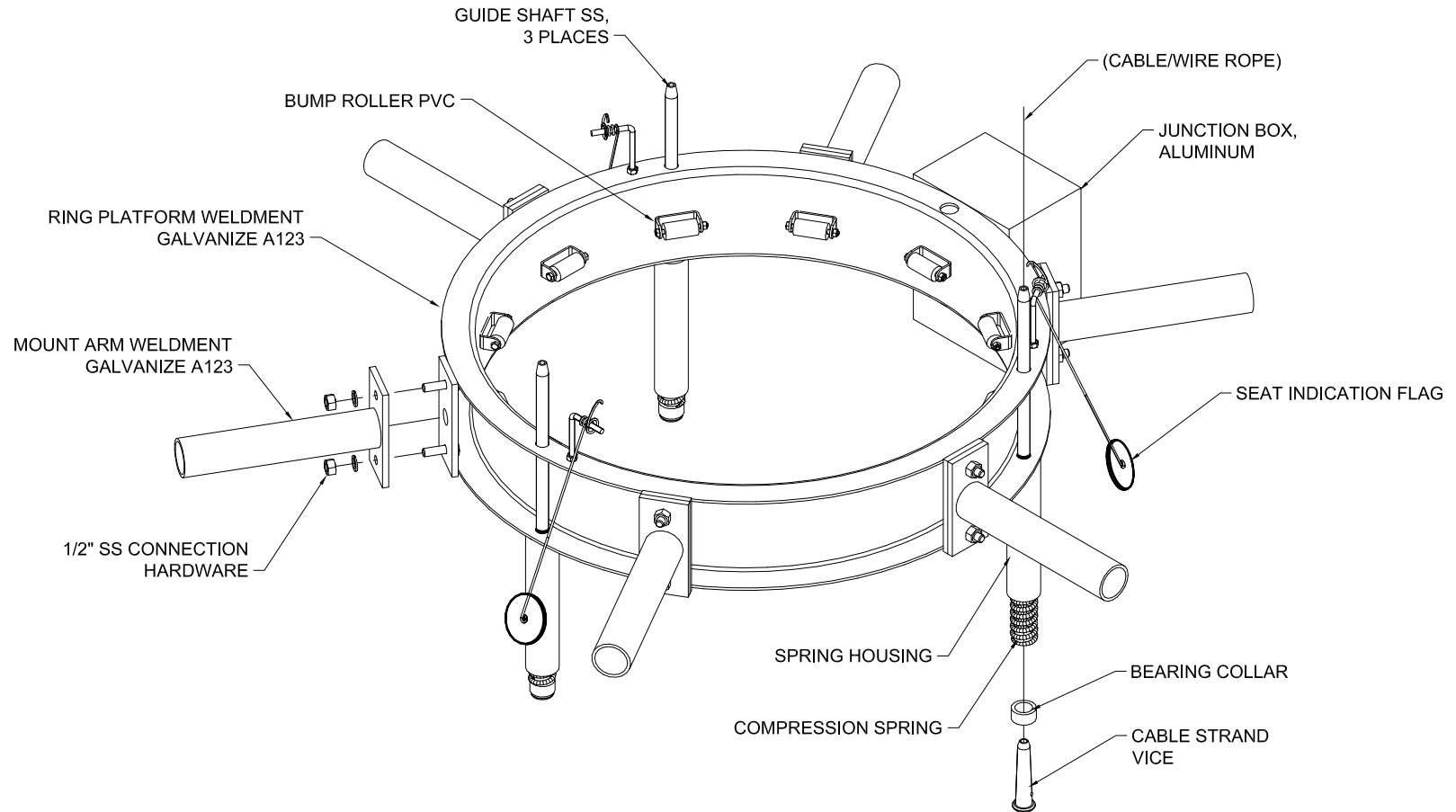


D

HEADFRAME



RING PLATFORM



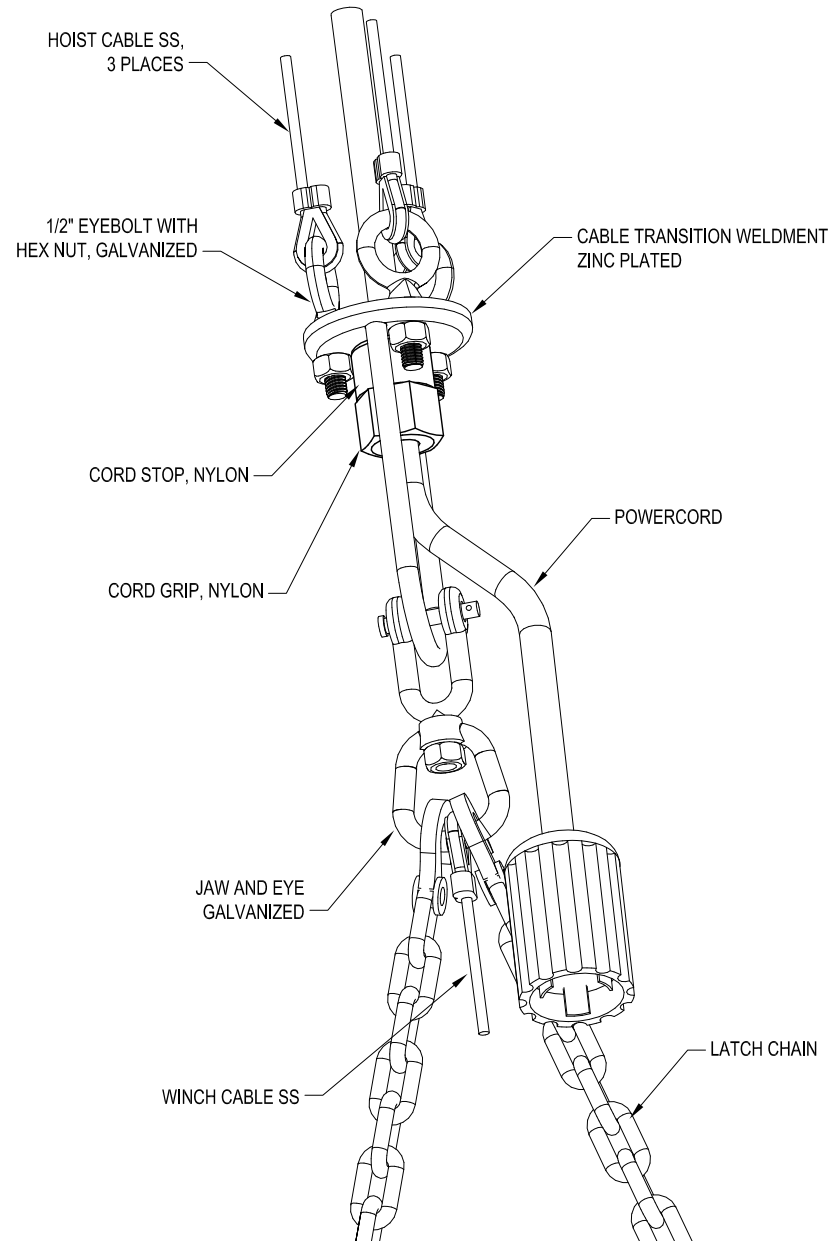
NOTES:

1. RING CAN BE CONFIGURED WITH 2 TO 6 MOUNT POSITION TO ACCOMODATE UP TO 12 LIGHT FIXTURES.
2. ALL HARDWARE/FASTENERS ARE STAINLESS STEEL.
3. JUNCTION BOX IS PREWIRED.

STRATUS
PRODUCTS

800.782.5804 PH
stratusprod.com

CABLE TRANSITION



WINCH PLATE

