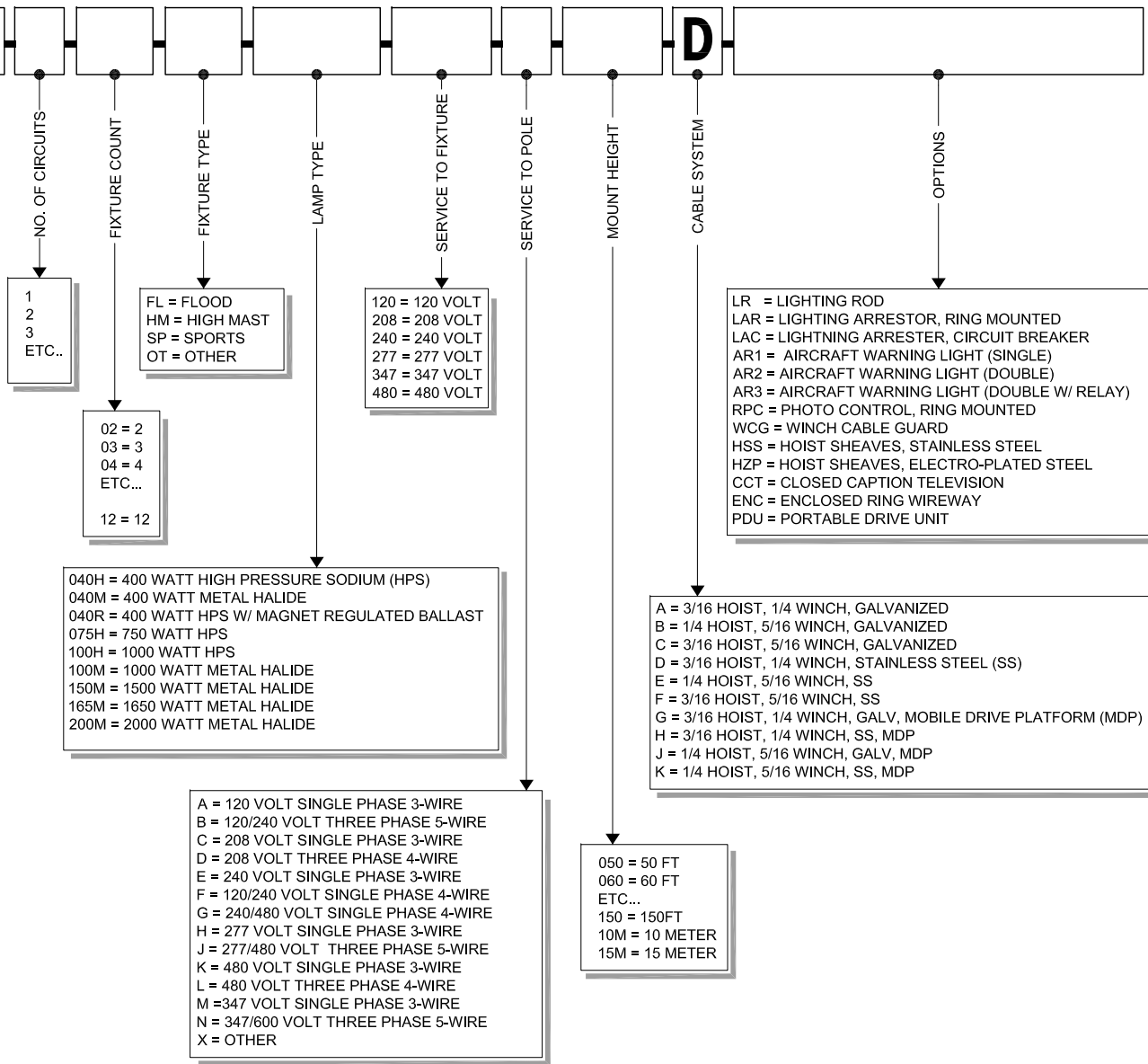
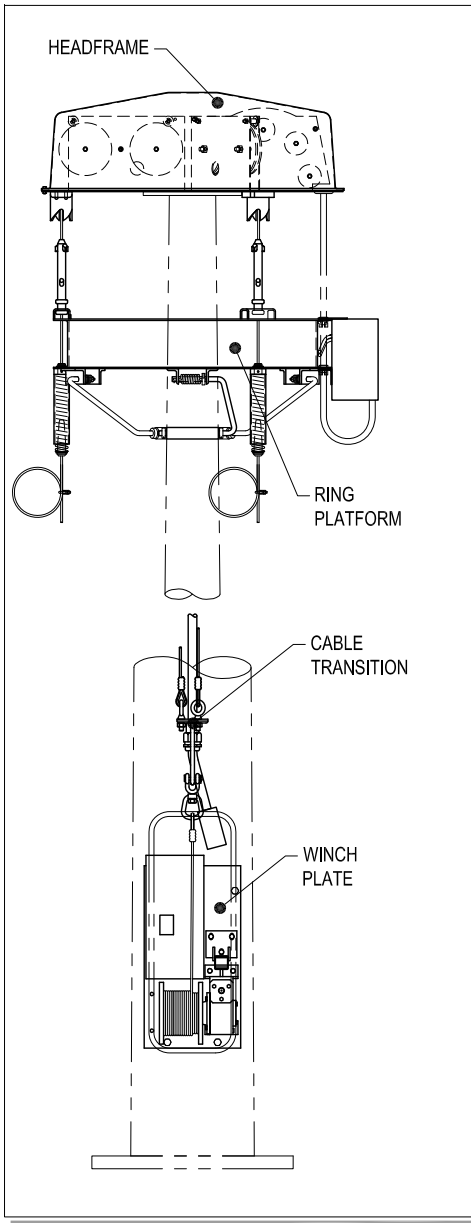
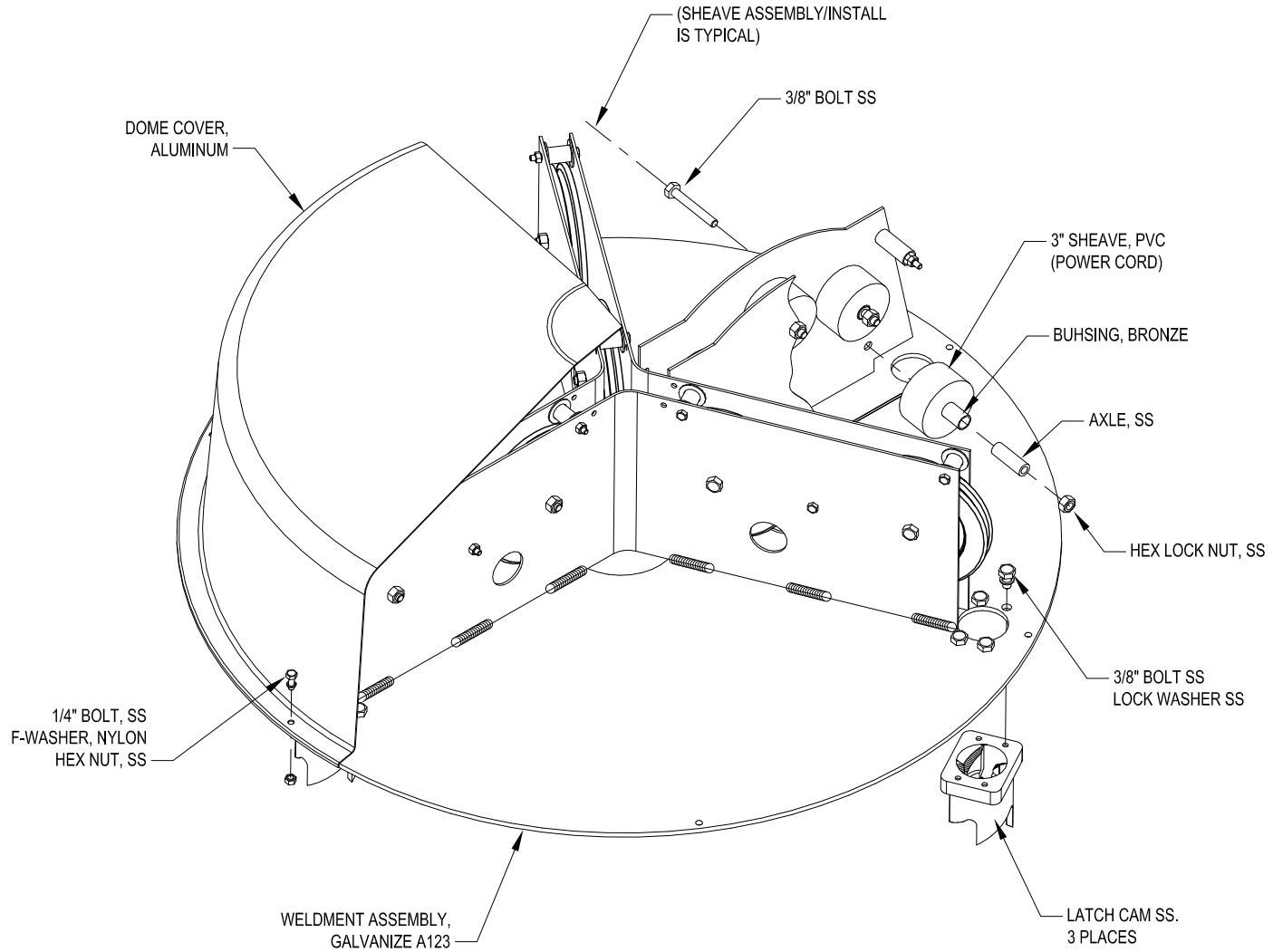


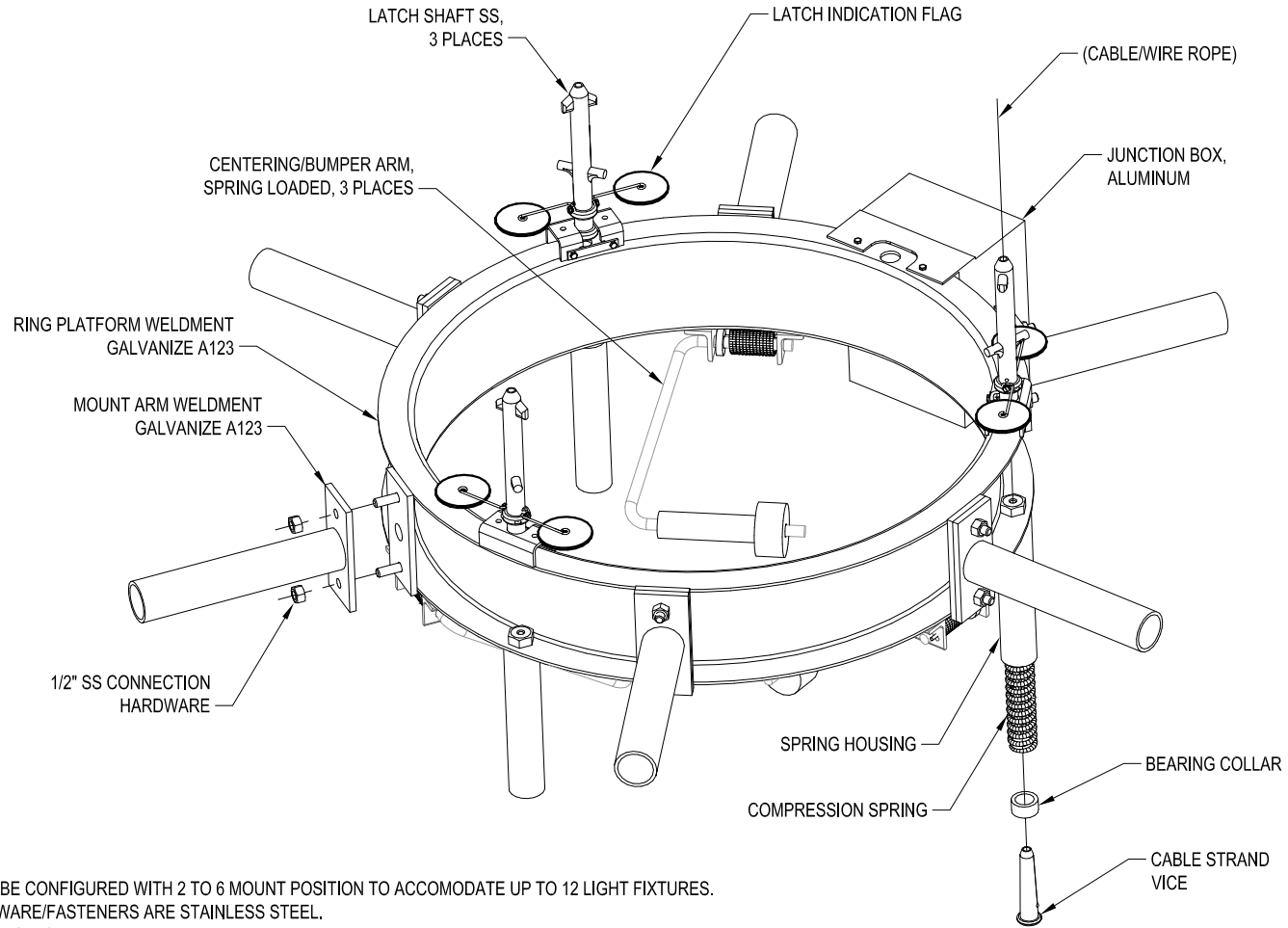
TOP LATCHING
EXTERNAL DRIVE **1060**



HEADFRAME



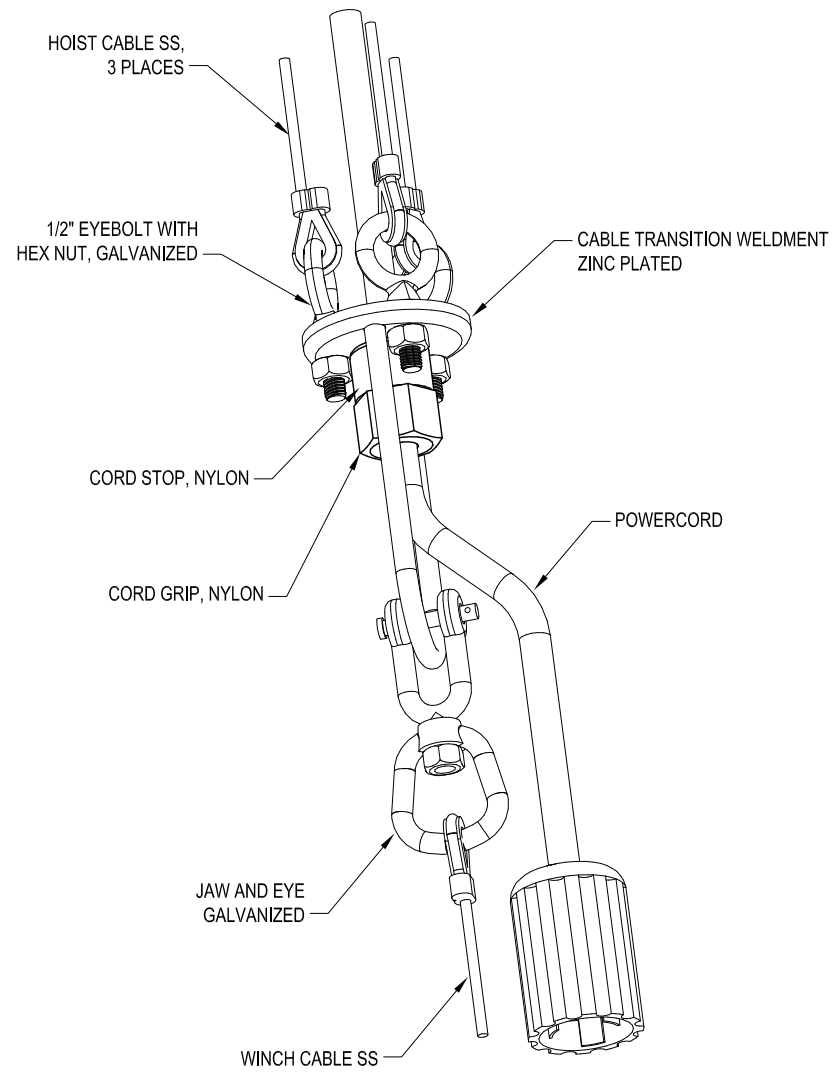
RING PLATFORM



NOTES:

1. RING CAN BE CONFIGURED WITH 2 TO 6 MOUNT POSITION TO ACCOMODATE UP TO 12 LIGHT FIXTURES.
2. ALL HARDWARE/FASTENERS ARE STAINLESS STEEL.
3. JUNCTION BOX IS PREWIRED.

CABLE TRANSITION



WINCH PLATE

